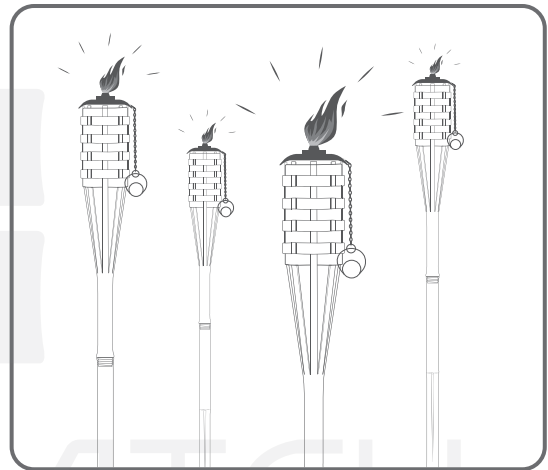
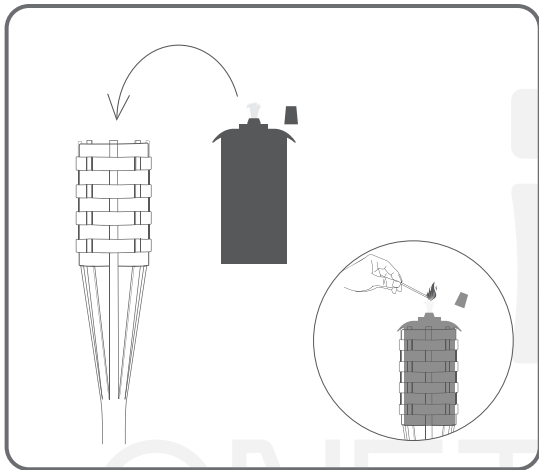
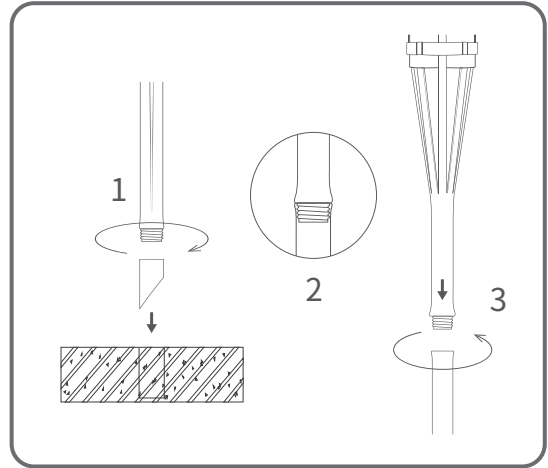
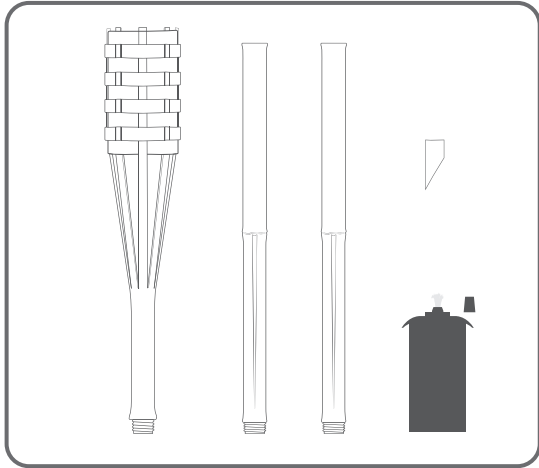


INSTALLATION GUIDE



Protips: If you are going to leave these gorgeous torches outside to decorate your backyard, we would recommend reinforcing our bamboo pole with a metal stake/garden stake so they can withstand strong winds and stay sturdy and pretty for decades.

